

# INTRODUCTION OF THE FIRST YEAR PH.D. STUDENT

**Václav Navrátil, Ing.**

ÚSTAV KONSTRUOVÁNÍ  
Fakulta strojního inženýrství  
VUT v Brně

Brno, 20.11.2019



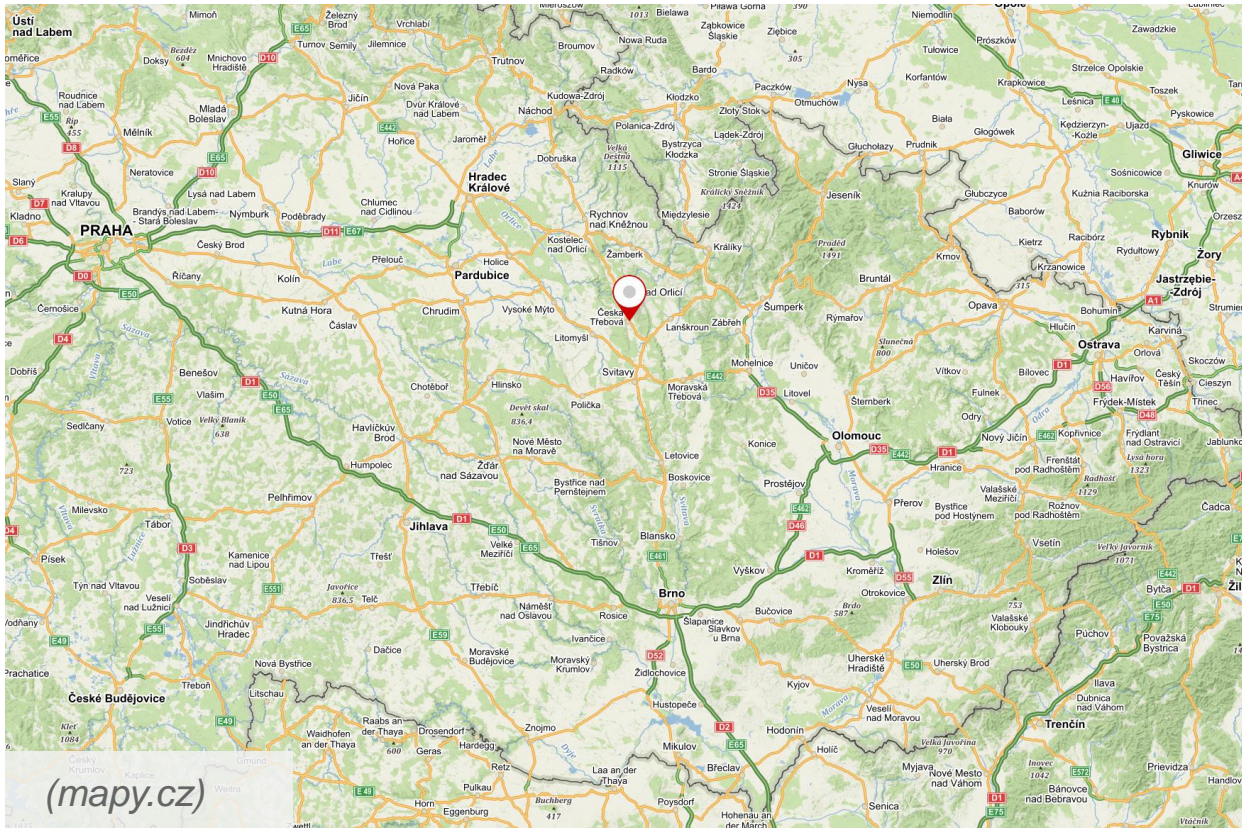
# CONTENT

- Introduction of myself
- Hobbies and interests
- Education
- Bachelor thesis
- Diploma thesis
- Dissertation
- Teaching activities



# INTRODUCTION OF MYSELF

- Hometown: **Česká Třebová**



# INTRODUCTION OF MYSELF

- Hometown: **Česká Třebová**



# INTRODUCTION OF MYSELF



# INTRODUCTION OF MYSELF



# INTRODUCTION OF MYSELF



(musicrecords.cz)



(dawsons.co.uk)



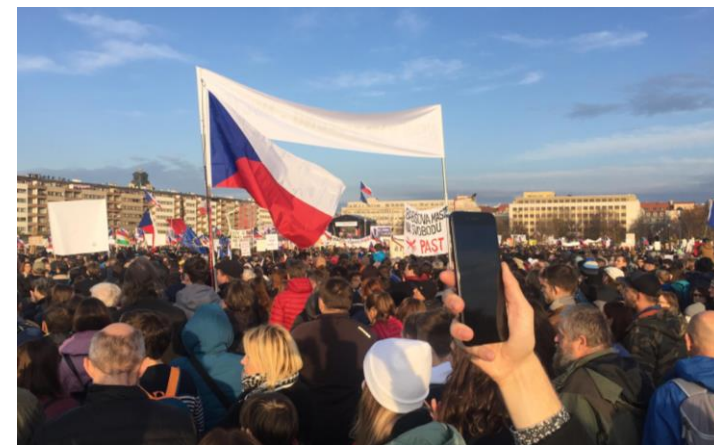
(pardubicky.denik.cz)



(en.wikipedia.org)



(ftefan.cz)



# EDUCATION

## Grammar school:

- Gymnázium Ústí nad Orlicí (2010-2014)

## University:

- Bachelor's degree:
  - BUT FME (2014-2017)  
Fundamentals of Mechanical Engineering
- Master's degree:
  - BUT FME (2017-2019)  
Mechanical Engineering

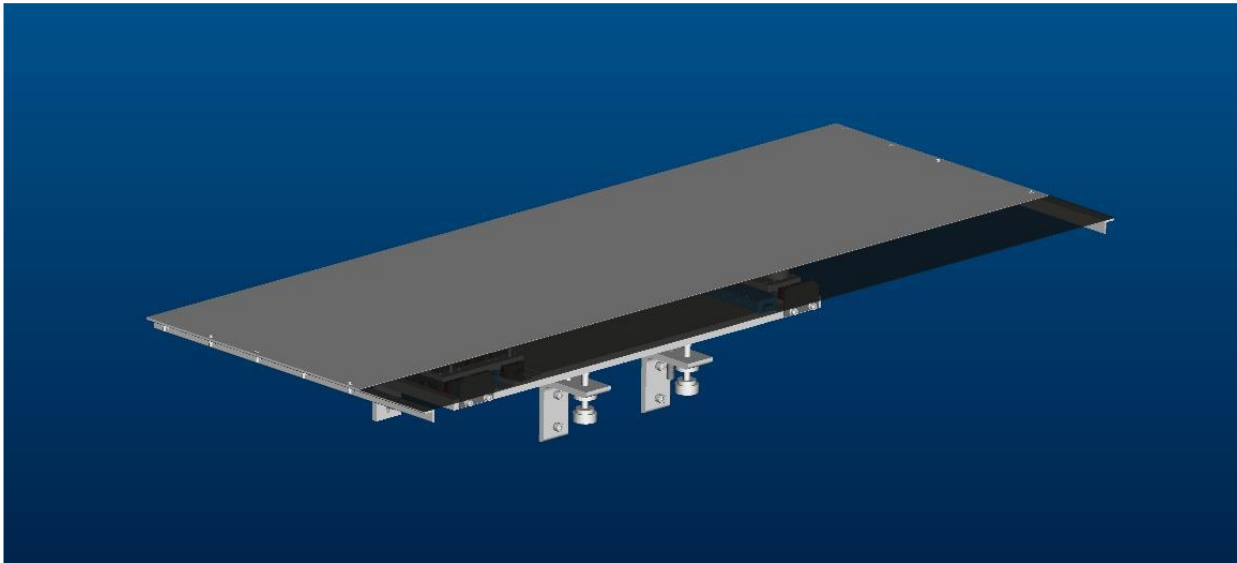




# BACHELOR THESIS

## Design of mounting table for assembly of printing block onto hub according to micropoint

- Supervisor: Ing. Petr Kučera
- SOMA Engineering

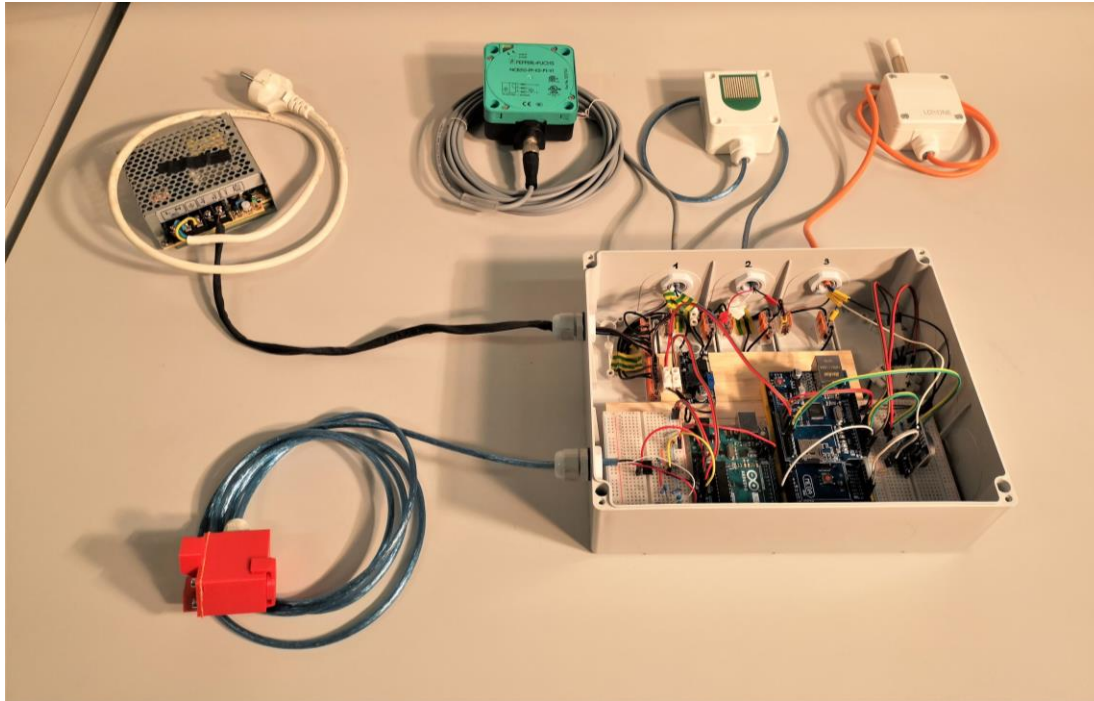


*(soma-eng.com)*

# DIPLIOMA THESIS

Reduction of noise of the railway vehicles in line arcs

Supervisor: doc. Ing. Milan Klapka, Ph.D.



# DISSERTATION

## Reduction of noise in railway transport

Supervisor: doc. Ing. Milan Klapka, Ph.D.

Supervisor specialist: Ing. Radovan Galas, Ph.D.



*(hiveminer.com)*

# TEACHING ACTIVITIES

## Teaching:

- 3CD CAD

## Learning:

- 9MOP Methodologies of Scientific Work
- 9VPR Research Project and Its Management
- 9VAH Vibration and Noise
- 9MSH Monitoring and Reducing Noise
- 9AJ English for Doctoral Degree Study



# DĚKUJI VÁM ZA POZORNOST

Václav Navrátil, Ing.

Vaclav.Navratil@vutbr.cz



ÚSTAV  
KONSTRUOVÁNÍ

[www.ustavkonstruovani.cz](http://www.ustavkonstruovani.cz)